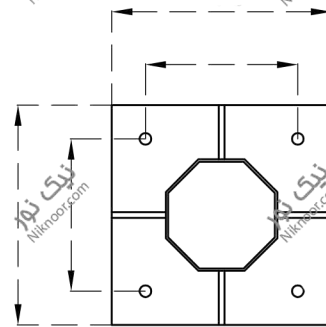
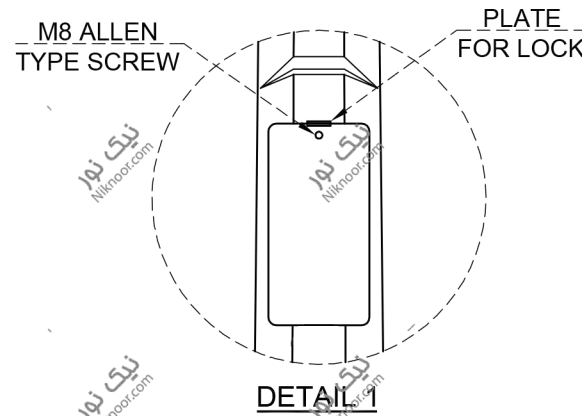


**CAMERA PLATE**



**BASE PLATE**



**DETAIL 1**

NOTES	
SCHEMATIC DRAWING ALLOWABLE TOLERANCE: ±10%	
LEGEND	
1) ALL DIMENSIONS ARE IN mm. 2) ALL STEEL PROFILES ARE FROM ST 37. 3) COATING: HOT DIP GALVANIZED ACCORDING TO ASTM A123 STANDARD.	
دستور شروع ساخت (توسط مشتری تکمیل گردد) مورد تایید است جهت ساخت اقدام شود به نام خانوادگی: تاریخ:	
مهر و امضاء:	
Project:	
Client:	
Consultant:	
Manufacturer:	 <b>NNC</b> Niknoor Lighting Industries Co.
Title:	CAMERA POLE
Document No.	<b>NNC-RSA-CP-0123</b>
Scale	A3
Size	rev 0
Sheet 1 of 1	