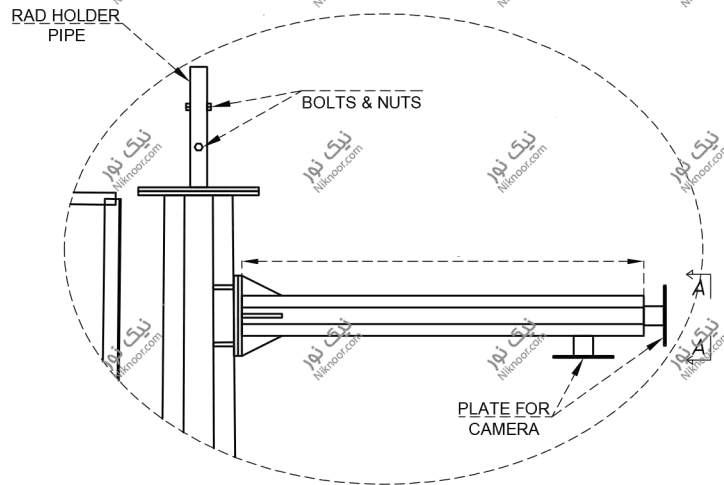
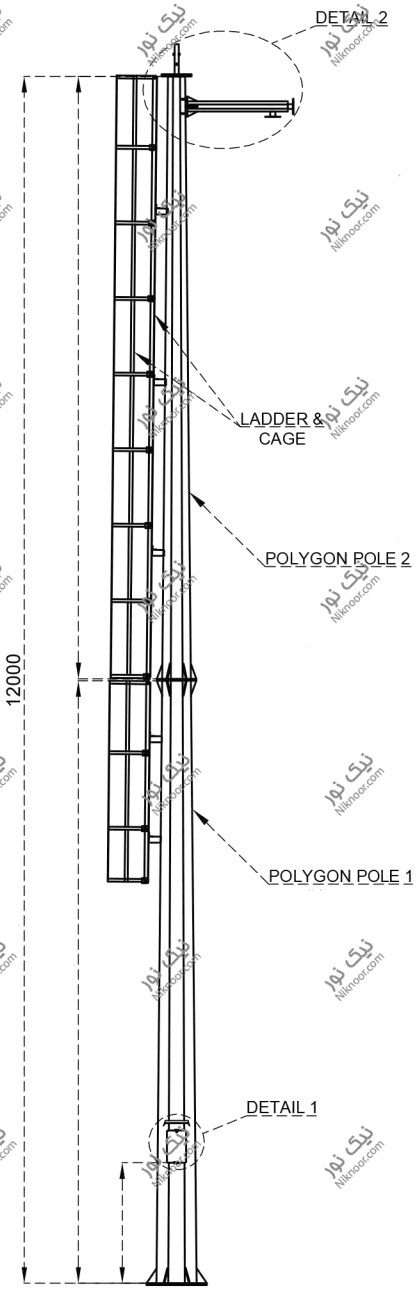


SCHEMATIC DRAWING
 ALLOWABLE TOLERANCE: ±10%

- LEGEND**
- 1) ALL DIMENSIONS ARE IN mm.
 - 2) ALL ELEVATIONS ARE IN mm.
 - 3) ALL STEEL PROFILES ARE FROM ST 37.
 - 4) COATING: HOT DIP GALVANIZED ACCORDING TO ASTM A123 STANDARD.



PUNCHING SHALL BE SPECIFY BY CUSTOMER

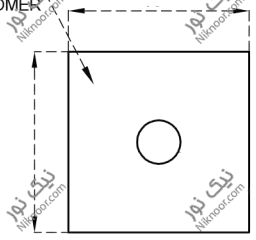
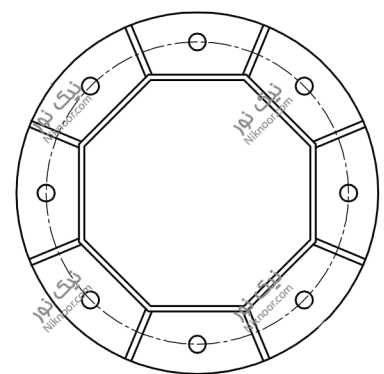
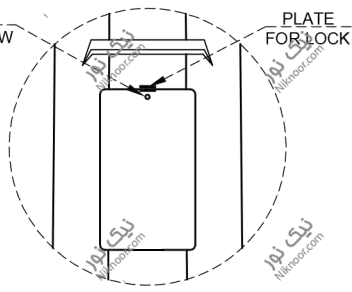


PLATE FOR CAMERA



M8 ALLEN TYPE SCREW



Project:

Client:

Consultant:



TITLE: CAMERA POLE

Document No. **NNC-RSA-CP-0114**

Scale Size: A3 rev 0 Sheet 1 of 1