

NOTES

- 1) SCHEMATIC DRAWING
 - 2) ALLOWABLE TOLERANCE : ± 10%
- LEGENDS
- 1) ALL DIMENSIONS ARE IN mm.
 - 2) ALL ELEVATIONS ARE IN mm.
 - 3) ALL STEEL PROFILES ARE FROM ST37..
 - 4) COATING : HOT DIP GALVANIZED ACCORDING TO ASTM A123.

دیس بروج ساخت (توسط مشوری تکمیل گردد)
 مورد تایید است جهت ساخت اقدام شود
 نام و نام خانوادگی :
 تاریخ :

مهر و امضاء :

PROJECT :

CLIENT :

CONSULTANT :

MANUFACTURER

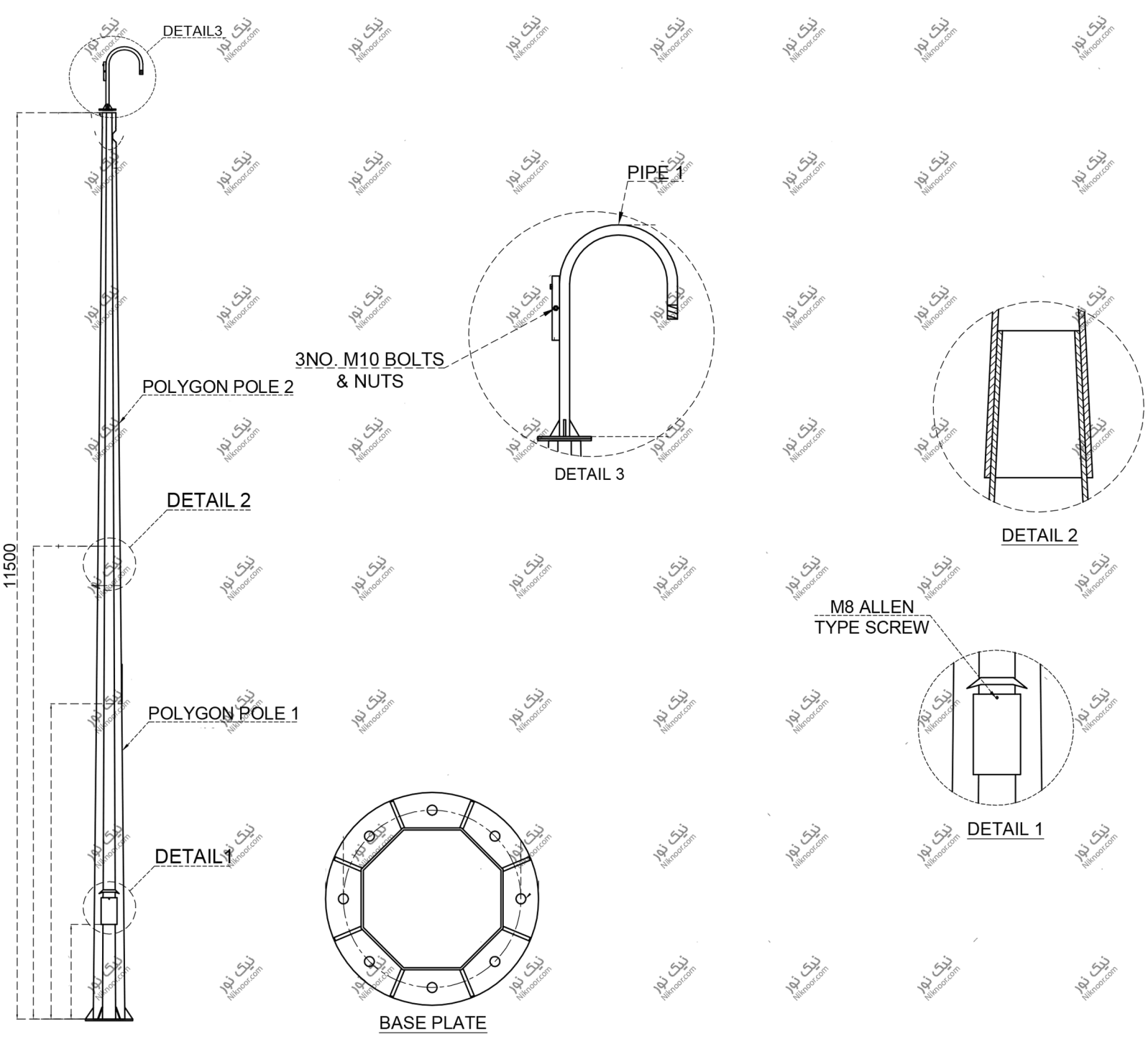


N N C
 Niknoor Lighting Industries Co.

TITLE : CAMERA POLE

DOCUMENT NO. **NNC-TNE-CP-1202**

SCALE: **A4** REV **0** SHEET 1 OF 1



11500

DETAIL 3

POLYGON POLE 2

DETAIL 2

POLYGON POLE 1

DETAIL 1

3NO. M10 BOLTS & NUTS

PIPE 1

DETAIL 3

DETAIL 2

M8 ALLEN TYPE SCREW

DETAIL 1

BASE PLATE