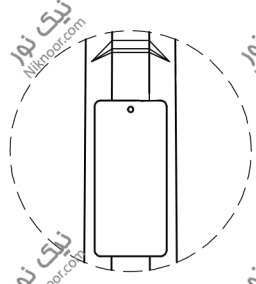
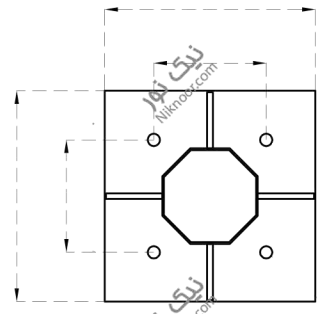


DETAIL 1



1-SCHMATIC DRAWING  
 2-ALLOWABLE TOLERANCE:  $\pm 10\%$

LEGEND

- 1) ALL DIMENSIONS ARE IN mm.
- 2) ALL ELEVATIONS ARE IN mm.
- 3) ALL STEEL PROFILES ARE FROM ST 37.
- 4) COATING: HOT DIP GALVANIZED ACCORDING TO ASTM A123 STANDARD.

دستور شروع ساخت (توسط مشتری تکمیل گردد)  
 مورد تایید است جهت ساخت اقدام شود  
 نام و نام خانوادگی:  
 تاریخ:  
 مهر و امضاء:

PROJECT:

CLIENT:

CONSULTANT:

Manufacture:  
  
 Niknoor Lighting Industries Co.

TITLE: LIGHTING POLE

Document No. NNC-EST-LP-0601

Scale Size A3 REV 0 Sheet 1 of 1